

## Setup

This unit can either be set up as Double Pole or End of Line monitoring. Its default setting is double pole with no EOL. In Double Pole mode you will need to connect the wires into the alarm and tamper circuits separately. See Fig 6.

To enable End of Line, remove the jumpers from the bagkit supplied and fit to the required EOL settings (refer to Fig 5.)

Only connect the wires into the two centre terminals as shown in Fig 6. The resistance settings available are:

Type	Switch	Tamper
Type A:	1K	1K
Type B:	4K7	2K2
Type D:	5K6	5K6
Type E:	6K8	4K7
Type I:	4K7	4K7

The switch may be set up as Normally Closed (NC) or Normally Open (NO). The default is Normally Closed. Move the jumper as required, see Fig 5.

## Operation

In either mode, both buttons must be fully pressed in at the same time to activate the alarm. One button alone will not activate an alarm condition.

### Latching mode:

To operate, push both buttons in until they stop. The alarm condition has now been activated and indicated by the window showing red. To reset, insert the key and turn clockwise fully until reset.

### Non latching mode:

To operate, push both buttons in until they stop. The alarm condition has now been activated, but on release of the buttons, the unit will reset automatically. No indication of activation will be visible on inspection.

## Specification

Case Material:	ABS or ABS/304 Grade Stainless Steel
Buttons:	Acetal
Reset Key:	Steel or Polycarbonate.
Operation:	2 button, latching or non-latching.
Reset Method:	Insert key and turn clockwise to reset.
Cover Removal:	Unscrew the cover screw to release.
Switch Rating:	3A 125VAC Changeover.
Anti Tamper:	Normally closed tactile 24v DC at 1A max
Dimensions:	62mm x 75mm x 29.5mm max
Fixing screws:	No 6 at 63mm vertical centres plus one optional extra.

## Product Codes

PADP3/SS/*	ABS with Stainless steel wrap around cover.
PADP3/*	ABS only.
MOUKEY	Replacement black plastic key
KEYPAM	Replacement metal key

\* indicates colour

**This product is suitable for use in systems installed to conform to PD6662: 2010 at Grade 2 and 3 Environmental class II**

### Environmental Advice.

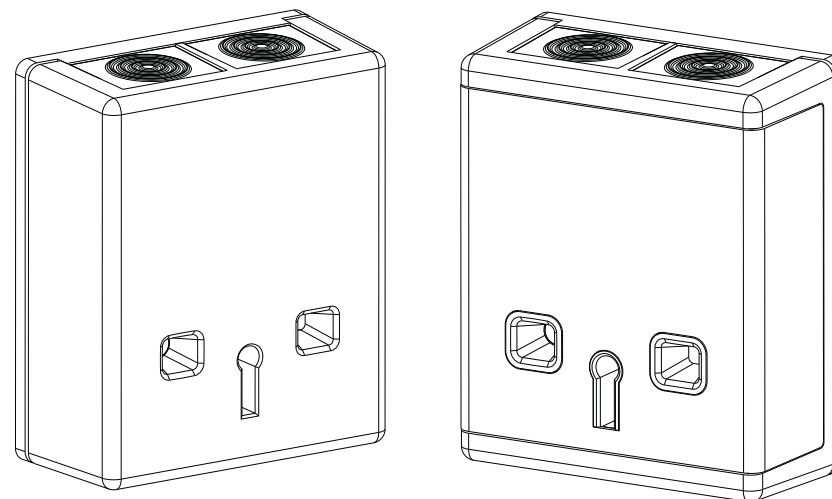
This product is covered by current WEEE regulations. Please consider the effect on the environment when disposing of it. Do not put in a domestic waste bin. Only dispose of at an appointed recycling centre.



PADP3 Series

## Hold-up Device

Latching/ Non-latching  
Normally closed/ Normally open  
Double pole / EOL  
Activation Indicator



## Operating and Installation Instructions

### Description

This hold-up device can be installed in security systems up to and including Security Grade 3 Environmental class II in accordance with EN50131-1: 2006 + A1: 2009. It is available in two versions, ABS plastic or ABS plastic with a stainless steel cover. It is possible to select the device to be latching or non-latching, double pole or EOL. The device has an activation indicator. The reset key is used to reset the device when latching mode is selected (default).

CQR Security. 125, Pasture Road, Moreton, Wirral. CH46 4TH, United Kingdom  
Tel: +44 (0) 151 606 1000 Support: +44 (0) 151 606 6311 email: info@cqr.co.uk Web http://www.cqr.co.uk

## Features

Fig. 1

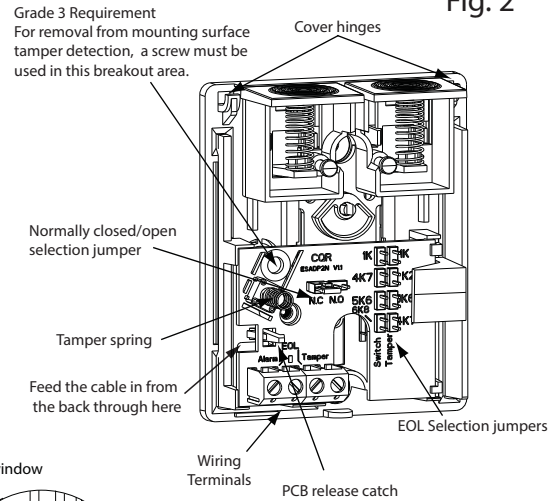
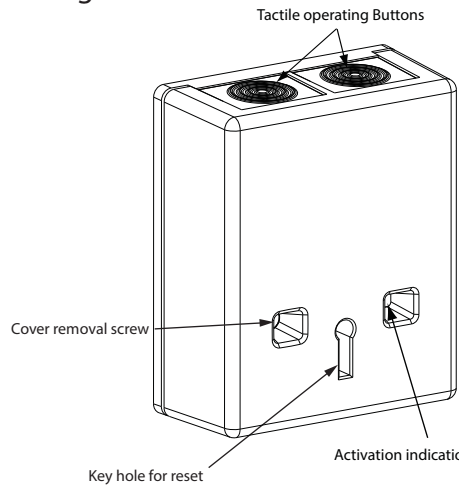


Fig. 2

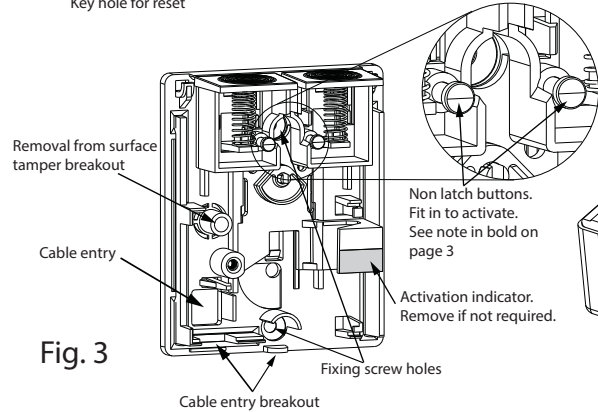


Fig. 3

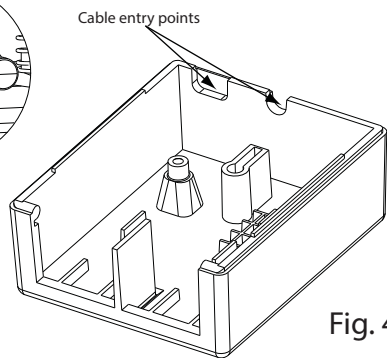
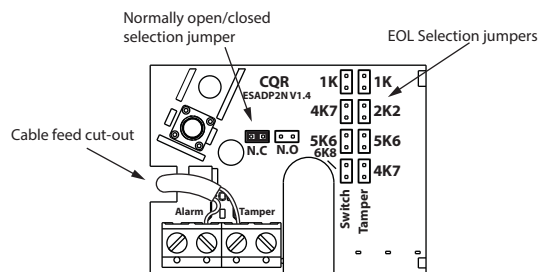


Fig. 4



Default Setup:  
Normally closed circuit  
and double pole with no  
EOL selected

Fig. 5

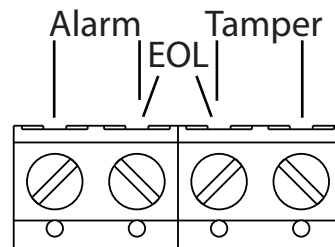
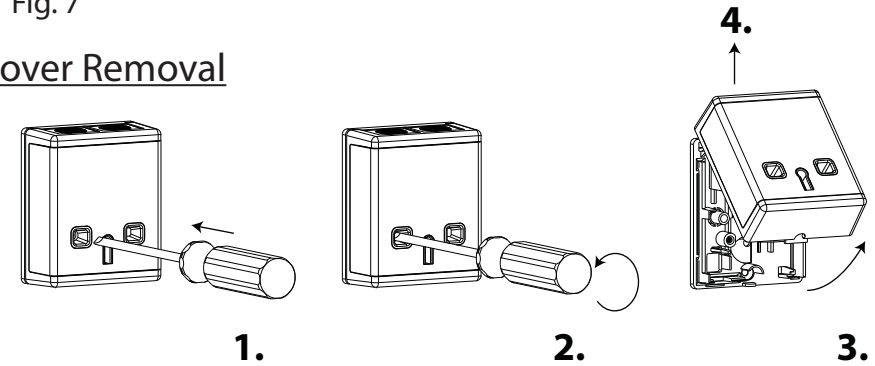


Fig. 6

## Installation & Set up

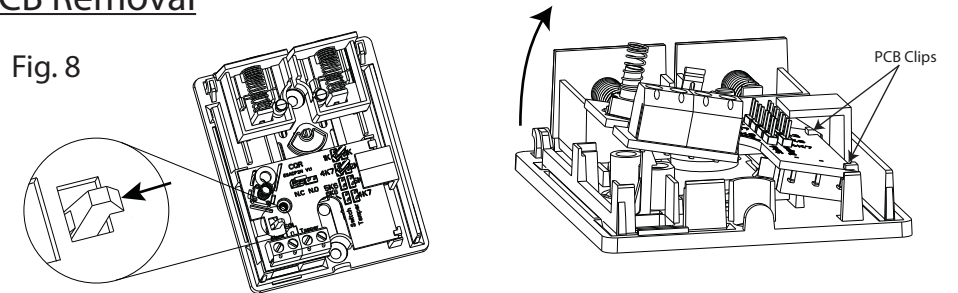
Fig. 7

### Cover Removal



### PCB Removal

Fig. 8



To open the unit, see Fig. 7 above. Using a suitable screw driver, release the screw that is visible in the left hand side recess. This will allow the lid to be hinged up from the bottom. When open sufficiently, the lid can be removed completely by moving the lid upwards parallel to the mounting surface as shown in Fig. 7 Re-fitting the lid is the reverse operation.

If the device is required to be non-latching, this can be achieved by fully inserting the two non-latching pegs supplied in the bagkit, into the two holes adjacent to the button springs in each button whilst the device is in the non active/reset condition as shown in Fig. 3 To revert back to a latching device, remove the pegs. The default condition is **latching**.

**Important notice: Do not insert the non-latching pegs whilst the unit is in the active position, as the buttons will not engage properly. Reset the unit first!**

Choose a suitable flat mounting surface and using the back as a template, mark out the screw holes as indicated in Fig. 3 Drill the mounting surface as determined by the screws and fasten the back to the mounting surface using 2 x No 6 (3.5mm) countersunk screws.

For grade 3 devices, the removal from mounting surface is required to comply with EN50131-1. To comply with this requirement an additional No 6 (3.5mm) pan head fixing screw must be used in the removal from mounting surface point as indicated in Fig. 2 and Fig.3.

**Important notice: Do not over tighten this screw as it may damage the PCB and would require the unit to be replaced. In the event of gross attack and the unit is forced from the mounting surface, the tamper circuit will detect the attack but the unit will be irreversibly damaged and must be replaced.**

The cable can be installed either through the square cable entry hole in the base or via the one of two cable entry breakouts at the bottom. The PCB can be removed if necessary, by moving the release catch as shown as shown in Fig. 8 Route the cabling as required and carefully refit the PCB by locating it under its clips on the right hand side and pushing the PCB back over the release catch. The cabling should be routed under the PCB and through the cable feed cut-out to ensure that it does not interfere with the operation of the device.