

# Installation Guide

NookBox IR 360 Detector  
(P119044 / E6309679)



# NookBox

Smart Home Security



# NookBox IR 360 Detector

## (P119044 / E6309679)

The Dome Detector is designed to be mounted on the ceiling to provide a 360° detection coverage without blind spots to pick up movements within an assigned area and signals the Control Panel to activate the alarm if an intruder crosses its' path of detection.

The Detector consists of a two-part design made up of a Detector main body and a back cover for wall mounting. The main body contains all the electronics and optics and the base provides a means of installation.

The Detector main body has an anti-sabotage tamper switch which will be activated when the main body is removed from the back cover to prevent unauthorized access and removal from the mounting surface. The Detector can also alert you to signal communication problems and low battery situations.

Powered by 1 CR123A lithium 3V battery

# Identifying the parts

## 1. Test Button aka LED indicator

The test button and also doubles as the LED indicator. The test button is used for testing the radio performance and for learning purpose. The LED indicator is used to indicate the status of system.

## 2. IR Sensor

## 3. Sensitivity Increaser Jumper Switch (JP3)

It is a 2-pin jumper switch.



**Jumper On**  
If the jumper is ON, the PIR's detection sensitivity is high.



**Jumper Off**  
If the jumper is OFF (if the jumper link is removed or "parked" on one pin), the the PIR's detection sensitivity is in normal level. (Factory default)

## 4. Tamper Switch

The Tamper switch protects the Detector from removal from mounted location.

## 5. Battery Compartment

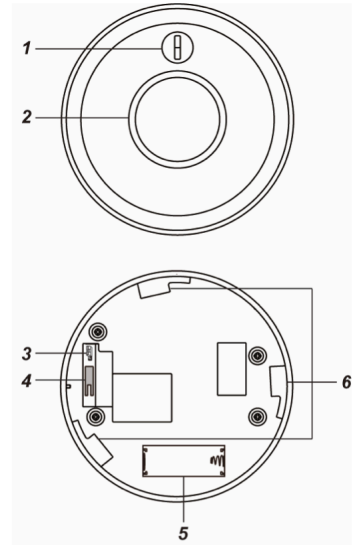
1 CR123A lithium 3V battery

## 6. Mounting Holes

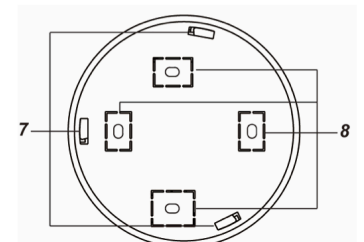
## 7. Hooks

## 8. Ceiling Mounting Knockouts (Inside)

**PIR Main Body**



**Back Cover**



## LED Indicator

In Normal operation mode, the LED Indicator will not light except in the following situations:

- When the Detector is in low battery condition, every time it transmits a detected movement, the LED will light up for about 2 seconds.
- When the cover is opened and the tamper switch is violated, the LED will light up for 2 sec. to indicate it is transmitting the “Tamper” signal.
- When the Tamper condition persists, every time it transmits a detected movement, the LED will light up.
- When if the Detector is in Test mode, the LED will light up every time a movement is detected.

## Sleep Timer

The Detector has a “sleep time” of approximately 1 minute to conserve power. After transmitting a detected movement, the Detector will not retransmit for 1 minute; any further movement detected during this sleep period will extend the sleep time by another minute. In this way continuous movement in front of a Detector will not unduly exhaust the battery.

## Supervision Function

The Detector is transmits a supervisory signal once every 30 to 50 minutes. If the Control Panel fails to receive the Supervisory signals transmitted from a certain Detector for a preset time, an “Out-Of-Order” fault message will be generated.

## Sensitivity Increaser Function

You can use the sensitivity increaser function to increase the IR’s detection sensitivity. To increase detection sensitivity, please set JP3 Jumper to ON position. To maintain the normal detection sensitivity, set the JP3 Jumper to OFF position (factory default).

## Test mode

The Detector can be put into Test mode by pressing the Test Button aka LED on the front cover. In Test mode, it will disable the sleep timer and will enable the LED indicator to flash every time a movement is detected. Each time press the Test Button, the Detector will transmit a test signal to the Control Panel for radio range test and enter the test mode for 3 mins. It will exit Test Mode automatically after 3 mins and returns to normal mode.

# Battery

The Detector uses 1 CR123A lithium 3V battery

The batteries are included in the package. The Detector feature low battery detection function. A low battery signal will be sent to the Control Panel along with regular signal transmissions for the Control Panel to display the status accordingly.

<NOTE>

When changing batteries, after removing the old batteries, press the Tamper Switch twice to fully discharge before inserting new batteries.

# Tamper Switch

The Detector has a tamper switch located on the back of the Detector main body. When the Detector is properly installed on the back cover, the tamper switch will be compressed. When the Detector is removed from the back cover, the tamper switch will be activated and trigger the Detector to send a tamper open signal to the Control Panel.

# Getting Started

- Insert the battery into the battery compartment.
- The LED indicator steadily flashes for 30 seconds. (The Detector is warming up). During the warming period, the Detector will not be activated.  
It is recommended that you stay away from the detection area during this time. After the warming period is over, the light will turn off and the Detector will be ready for operation.
- Put the Control Panel into learning mode, refer to Control Panel manual for detail.
- Press the learn/test button on the front cover.
- If the Control Panel receives Detector signal, it will display the information accordingly, refer to Control Panel manual to complete the learning process.
- After the Detector is learnt-in, put the Control Panel into “Walk Test” mode, hold the Detector in the desired location, and press the Test button to confirm this location is within signal range of the Control Panel.
- When you are satisfied that the Detector work in the chosen location, you can proceed with installation.

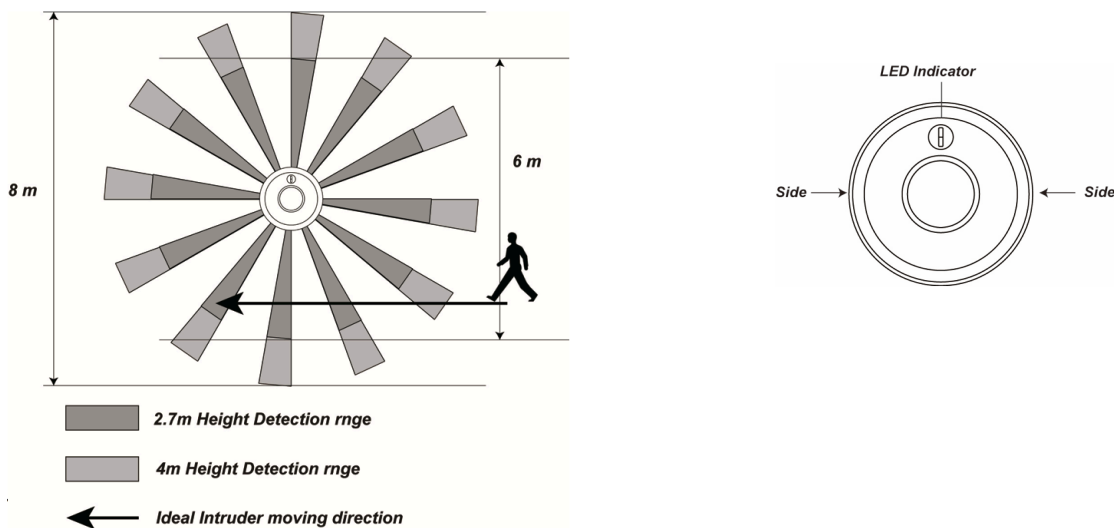
# Installation Guideline

- The Detector is designed to be mounted on the ceiling
- When mounted at 2.7 meter height, the Detector provides detection coverage of a 360° circle with approximately 6 meter diameter.
- When mounted at 4 meter height, the Detector provides detection coverage of a 360° circle with approximately 8 meter diameter.
- For optimal performance, rotate the Detector so that the intruder would move across its detection area from side to side.

<NOTE>

To find out the “sides” of the Detector. Hold the Detector with LED indicator pointing upward, and the left and right sides of the Detector are considered the Detector’s sides. The Detector sensor is most sensitive when the intruder is moving from one side to the other.

- Refer to the diagrams below for more information.

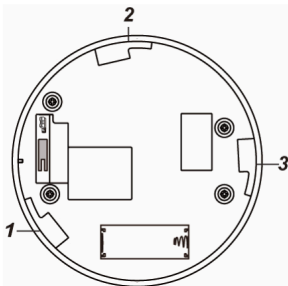


- It is recommended to install the Detector in the following locations.
  - In an ceiling area with full view of its detection coverage unobstructed by appliances and furniture.
  - Near the entrance of a room or house to monitor entry activity.
- Limitations
  - If a door is already protected by a Door Contact, do not install the Detector too close to the Door. If the Door Contac and the Detector is triggered and transmit signal at the same time, the signals may collide and cancel each other.
  - Do not install the Detector exposed to direct sunlight.
  - Avoid installing the Detector in areas where devices may cause rapid change of temperature in the detection area, i.e. air conditioner, heaters, etc.
  - Avoid large obstacles in the detection area.
  - Do not pointing directly at sources of heat e.g. Fires or boilers, and not above radiators.
  - Avoid moving objects in the detection area i.e. curtain, wall hanging etc.
- After the installation site is selected, follow the steps below to mount the Detector.
- Press the Test Button to enter Test Mode. Walk around the protected area noting when the LED lights up and check that the detection coverage is adequate.
- When detection coverage is found to be satisfying, installation is now completed.

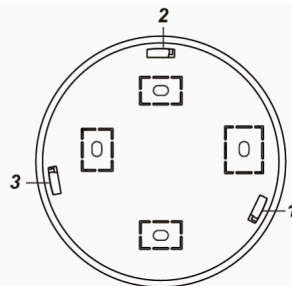
# Mounting Method

- The Detector is designed to be mounted on the ceiling
- The back cover has 4 knockouts where the plastic is thinner for ceiling mounting.
- After finishing Detector learning and walk test, proceed to mount the Detector according to instructions below
  - I. Break through the 4 knockouts on inside of back cover
  - II. Use the knockout hoes as template, drill holes in the ceiling, insert wall plug if required.
  - III. Screw the back cover onto the ceiling according to drilled holes.
  - IV. The back cover has numbers on the insides to mark the mounting hole number, which corresponds to the mounting hook number on the back of main body. Align the mounting hole with the mounting hook when installing. Refer to figure below for mounting hook and hole location.

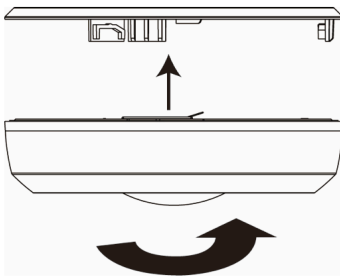
PIR Main Body Rear View



Back Cover Inside View



- V. Install the Detector main body onto the back cover. Fit the hooks on the back cover to the mounting holes on Detector main body.
- VI. Rotate the Detector main body clockwise to lock the hooks into the mounting hole. Refer to figure below.
- VII. Detector mounting is now complete.





# NookBox

Smart Home Security

For more information visit:  
[www.getnookbox.com](http://www.getnookbox.com)