

AXT Terminal Expansion Module

Information Sheet

The AXT Terminal expansion module simplifies control expansion by providing an additional sixteen +/- auxiliary terminals and two 4-wire communication buses.



Specifications/Features

- Sixteen +/- Aux terminals.
- Two 4-wire bus expansion terminals.
- 20 AWG, 23", tinned flying leads.
- Adhesive backing to facilitate easy installation.

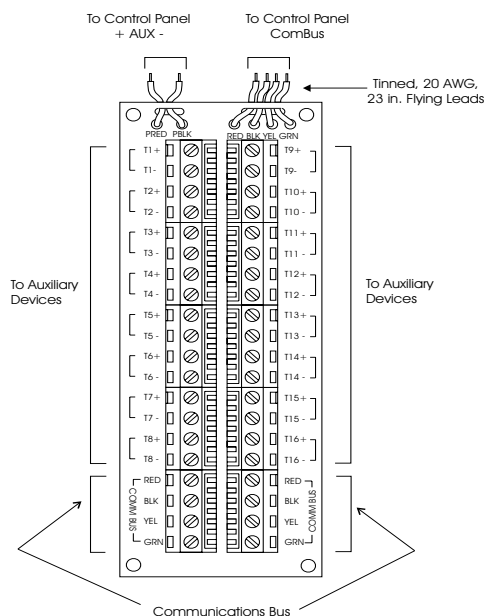
Installation

- Remove power from control panel
- Connect flying leads to control panel terminals.
- Remove protective backing and secure module by pressing module firmly against a dry area inside the panel.

or

Insert standoffs (provided) from outside panel until an audible click is heard. Align module mounting holes with the standoffs and press firmly until each standoff 'clicks' in to place.

- Connect additional devices to auxiliary terminals as required.
- When wiring is completed, reapply power and perform system test.



Limited Warranty

DSC warrants that for a period of one year from the date of purchase, the product shall be free of defects in material and workmanship under normal use and that in fulfillment of any breach of such warranty, DSC shall, at its option, repair or replace the defective equipment upon return of the equipment to its repair depot. This warranty applies only to defects in materials and workmanship and not to damage incurred in shipping or handling, or damage due to causes beyond the control of DSC such as, lightning, excessive voltage, mechanical shock, water damage or damage arising out of abuse, alteration or improper application of the product.

The foregoing warranty shall apply only to the original buyer, and shall be in lieu of any and all other warranties, whether expressed or implied and of all other obligations or liabilities on the part of DSC. This warranty contains the entire warranty. DSC neither assumes responsibility for, nor authorizes any other person purporting to act on its behalf to modify or to change this warranty, nor assume for it any other warranty or liability concerning this product.

In no event shall DSC be liable for any direct, indirect or consequential damages, loss of anticipated profits, loss of time or any other losses incurred by the buyer in connection with the purchase, installation or operation or failure of this product.

Important!

DSC recommends that the entire system be completely tested on a regular basis. However, despite frequent testing, and due to but not limited to criminal tampering or electrical disruption, it is possible for this product to fail to perform as expected.

©2001 Digital Security Controls Ltd.
Toronto • Canada • 1-800-387-3630
www.dsc.com

Printed in Canada 29005847 R001



AXT Terminal Expansion Module

Information Sheet

The AXT Terminal expansion module simplifies control expansion by providing an additional sixteen +/- auxiliary terminals and two 4-wire communication buses.



Specifications/Features

- Sixteen +/- Aux terminals.
- Two 4-wire bus expansion terminals.
- 20 AWG, 23", tinned flying leads.
- Adhesive backing to facilitate easy installation.

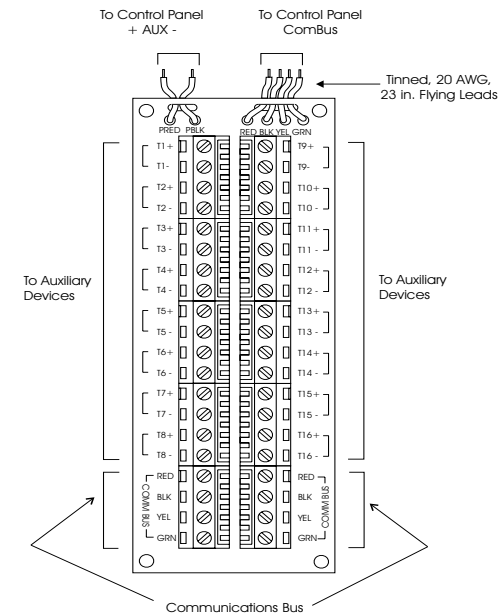
Installation

- Remove power from control panel
- Connect flying leads to control panel terminals.
- Remove protective backing and secure module by pressing module firmly against a dry area inside the panel.

or

Insert standoffs (provided) from outside panel until an audible click is heard. Align module mounting holes with the standoffs and press firmly until each standoff 'clicks' in to place.

- Connect additional devices to auxiliary terminals as required.
- When wiring is completed, reapply power and perform system test.



Limited Warranty

DSC warrants that for a period of one year from the date of purchase, the product shall be free of defects in material and workmanship under normal use and that in fulfillment of any breach of such warranty, DSC shall, at its option, repair or replace the defective equipment upon return of the equipment to its repair depot. This warranty applies only to defects in materials and workmanship and not to damage incurred in shipping or handling, or damage due to causes beyond the control of DSC such as, lightning, excessive voltage, mechanical shock, water damage or damage arising out of abuse, alteration or improper application of the product.

The foregoing warranty shall apply only to the original buyer, and shall be in lieu of any and all other warranties, whether expressed or implied and of all other obligations or liabilities on the part of DSC. This warranty contains the entire warranty. DSC neither assumes responsibility for, nor authorizes any other person purporting to act on its behalf to modify or to change this warranty, nor assume for it any other warranty or liability concerning this product.

In no event shall DSC be liable for any direct, indirect or consequential damages, loss of anticipated profits, loss of time or any other losses incurred by the buyer in connection with the purchase, installation or operation or failure of this product.

Important!

DSC recommends that the entire system be completely tested on a regular basis. However, despite frequent testing, and due to but not limited to criminal tampering or electrical disruption, it is possible for this product to fail to perform as expected.

©2001 Digital Security Controls Ltd.
Toronto • Canada • 1-800-387-3630
www.dsc.com

Printed in Canada 29005847 R001

