

English

KP-241 PowerG Wireless Portable Keypad Installation Instructions

Introduction

The KP-241 PG2 is a wireless and portable two-way keypad with a built-in proximity tag reader that is compatible with PowerMaster systems. It enables arming and disarming of the alarm system; initiates emergency, fire, and panic alarms; and controls programmable outputs (PGMs). The keypad provides visual indication of successful command execution and system status using two-way communication with the control panel.

The KP-241 PG2 has the following features:

- PowerG technology
- 50 to 100 meters (164 to 328 feet) indoor range
- Audible entry and exit warnings
- Three-year battery life with typical use
- Partition support
- Battery compartment and mounting bracket tampers
- Automatic low battery reports
- Keypad backlighting
- Wall-mount bracket

For more information, visit www.visonic.com.

KP-241 box contents

Before you start, verify that the box contains the following items:

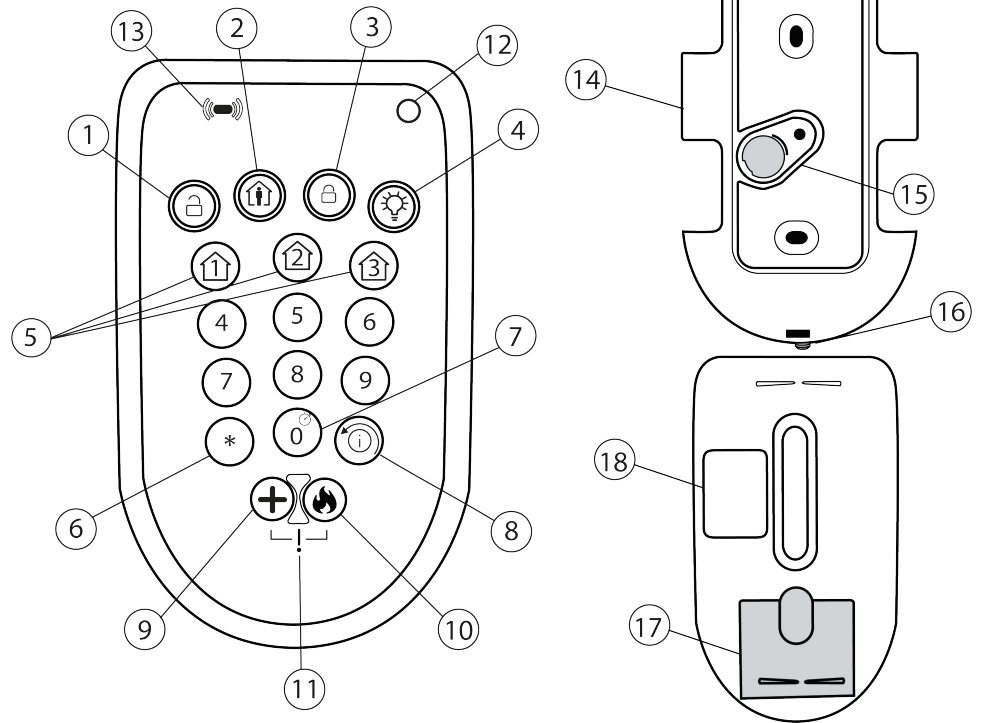
- 1 x keypad
- 1 x mounting bracket
- 1 x screw kit
- 1 x CR123A battery
- 3 x tags
- 1 x quick start guide

Getting started

Table 1: Keypad parts

Part	Description
1	Disarm button
2	Arm Home button
3	Arm Away button
4	PGM activation button
5	Partition selection
6	Function button
7	Instant arm button
8	Status/Cancel button
9	Emergency button
10	Fire button
11	Panic alarm
12	LED indicator
13	Tag reader
14	Mounting bracket
15	Back tamper magnet
16	Locking screw
17	Battery compartment
18	Product label

Figure 1: Keypad parts



Inserting the battery

Caution! There is a risk of explosion if the battery is replaced by an incorrect type.

- 1 Slide out the battery compartment cover.
- 2 Insert the battery, and ensure correct polarity.
- 3 Close the cover.

Warning! Dispose of used batteries according to the manufacturer's instructions and according to local rules and regulations.

Enrolling the keypad to the panel

- 1 Enter the **Installer** menu and select **02: ZONES/DEVICES**.
- 2 Select **ADD NEW DEVICES**.
- 3 Press the **Function** button on the keypad until the LED lights yellow.
The panel displays, for example, **DEVICE ENROLLED K02: Prox Keypad ID No. 371-XXXX**.
Alternatively, enter the device ID digits **371-XXXX**, as printed on the keypad label.
The panel displays, for example, **ID ACCEPTED K02: Prox Keypad ID No. 371-XXXX**.
- 4 **Optional:** Navigate to choose the keypad number (for example, K04).
- 5 Press **OK**.
If the partitioning feature is enabled in the panel, the **Partitions** menu displays.
- 6 To assign the keypad to one or more partitions, press the **1, 2** or **3** buttons on the panel.
- 7 Press **Next**. The **DEV SETTINGS** menu displays.
- 8 Press **OK** to enter keypad configuration.

Figure 2: Inserting the battery

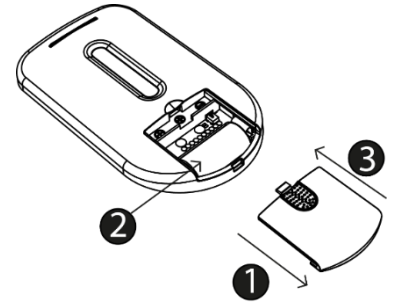


Table 2: Keypad configuration options

Option	Function
Tampers	Determines if the keypad reports on both the battery cover and back tamper (All Tampers), the battery cover tamper only (Battery Only), or none (Disabled – default).
Supervision	Determines if the control panel monitors the integrity and quality of the radio link. A missing trouble alert occurs if the keypad misses at least one supervision signal within 5 minutes. The options are Enabled or Disabled (default).
Exit-Entry Beeps	Determines if the keypad always sounds the exit and entry beeps (ON), only when the system is armed away (OFF @ Home), or does not sound exit-entry beeps at all (OFF – default).
Sounder volume	Determines the keypad sound volume. The options are Minimum , Medium (default), and Maximum .
Button (*)	Determines the use of the Function button from the following options: <ul style="list-style-type: none">▪ Status (default): Announces the system status. Applicable only for panels with voice capabilities.▪ Skip exit delay: Stops the exit delay time.▪ PGM ACTION: Activates the PGM output.▪ Stop Beeps: Causes the control panel and other devices in the system to stop beeping.▪ Not Used: No function assigned to the Function button.

Note: For more information on enrolling a new keypad to the control panel, modifying the settings, or deleting an enrolled keypad, refer to the relevant section in the control panel's installer guide.

Enrolling proximity tags

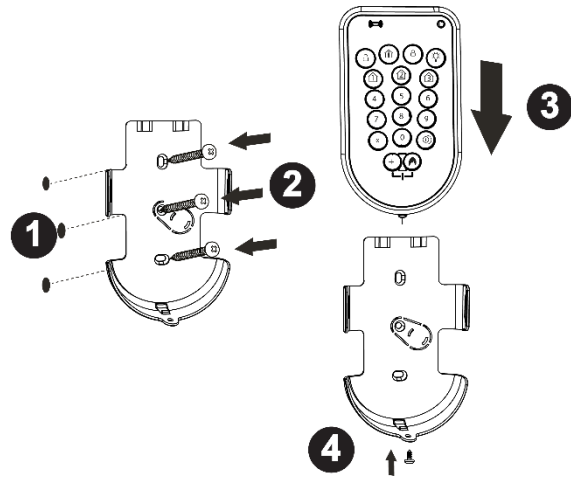
You can use proximity tags instead of user codes to arm and disarm the system. A proximity tag can be assigned to each of the users 1 to 8.

- 1 Enter the **Installer** menu and select **02: ZONES/DEVICES**.
- 2 Select **ADD NEW DEVICES**. The display reads **ENROLL NOW** or **ENTR ID: xxx-xxxx**.
- 3 Press the **Arm Away** button on the keypad. The **Arm Away** button blinks.
- 4 Present the proximity tag to the tag reader area of the keypad within the timeout period. If the tag enrolls successfully, a success tune sounds and the control panel displays **DEVICE ENROLLED**.
- 5 **Optional:** To assign the tag to another user, for example, User No. 5, enter 05, or press the forward button until the display reads **T05: Tag (Prox)**.
- 6 Press **OK** to confirm.

Mounting the keypad

- 1 Drill three holes in the mounting surface.
- 2 Insert the wall anchors and fasten the bracket with three screws.
- 3 Slide the keypad into the bracket.
- 4 Tighten the locking screw to secure the keypad to the bracket.

Figure 3: Mounting the keypad



Operating the keypad

Table 3: Quick reference guide

Feature	Description	Command
Arm Home	Arms the system to protect the site perimeter. Movement within the interior does not trigger an alarm.	Press the Arm Home button and enter your user code or present your tag.
Arm Away	Arms the system when you vacate the protected site.	Press the Arm Away button and enter your user code or present your tag.
Quick Arm Home	Arms the system without the need to provide a user code. Note: Enable Quick Arm on the control panel to use this function.	Press and hold the Arm Home button for two seconds
Quick Arm Away	Arms the system without the need to provide a user code. Note: Enable Quick Arm on the control panel to use this function.	Press and hold the Arm Away button for two seconds.
Latchkey Arm	Arms away and enables an automatic latchkey message to one or more designated phone numbers, or to the user app, when a latchkey user disarms the system. For example, parents can use this feature to receive a notification when a child has returned home and disarmed the system. You can assign latchkey users to users 5 to 8.	Press the Arm Away button three times.
Instant Arm	Use this feature to skip the entry delay time period after you arm the system. A detection in any zone will trigger an immediate alarm.	Press the Arm Home or Arm Away button, enter your user code or present your tag, and then press the Arm Instant button.
Disarm	Restores the system to the standby state.	Press the Disarm button and enter your user code or present your tag.
Disarming under duress	Initiates a silent alarm if you need to disarm the system under duress. The system disarms normally, but a silent alarm transmits to the monitoring station.	Press the Disarm button and enter the duress code. The default duress code is 2580.
Emergency alarm	Initiates an emergency alarm.	Press and hold the Emergency button for two seconds
Fire alarm	Initiates a fire alarm.	Press and hold the Fire button for two seconds.
Panic alarm	Initiates a panic alarm.	Press and hold both the Emergency and Fire buttons for two seconds.
Partitions	Use the partition feature to arm and disarm up to three controllable areas. Note: Enable partitioning on the control panel to use this feature.	Press Partition buttons 1, 2 or 3 to select a partition before arming or disarming the system.
Function button	Activates the function set by the installer. Please refer to <i>Table 2</i> .	Press the Function button.

General indications

The following table describes the meaning of LED indications that occur during general use of the keypad:

Table 4: General LED indications

LED	Indication
Red	The command transmits successfully to control panel. This occurs after every input.
Green with success tune	Operation successful
Red with failure tune	Operation failed

Arming indications

If the system is not ready to arm, or has a trouble or an alarm condition, the **Status** button flashes for a few seconds. See the *Status requests* section for information on how to retrieve status information from the control panel.

Status requests

- Press the **Status** button to request the status of your system

The LED blinks red once to indicate the status request, and then the **Arm Away**, **Arm Home**, or **Disarm** button lights for a few seconds to indicate the arming status.

Table 5: Status request LED indications

LED	Indication
Green	Ready for arming
Red	Not ready for arming. This can mean that one or more zones are not secured. Secure or bypass the zone to arm the system.
Yellow	Trouble or active alarm. Review and clear the trouble to arm the system.
Yellow blinking	Low battery

Controlling configured electrical appliances

The keypad allows remote control of electrical appliances connected to the control panel's PGM output.

- 1 Press the **PGM activation** button.
- 2 To turn on the device, press the **Arm Away** button.
- 3 To turn off the device, press the **Disarm** button.
- 4 To toggle the device status, press the **Arm Home** button.

Replacing the battery

Please refer to *Figure 2: Inserting the battery*.

Caution! There is a risk of explosion if the battery is replaced by an incorrect type. Contact your installer to identify the correct battery type.

- 1 Slide out the battery compartment cover.
- 2 Remove the old battery and insert the new battery. Ensure correct polarity.
- 3 Close the cover.

Warning! Dispose of used batteries according to the manufacturer's instructions and according to local rules and regulations.

Working with partitions

Partitioning allows you to have up to three controllable areas; each partition can be armed and disarmed independently, by the same or different users, and regardless of the status of the other two partitions. To use the Partitioning feature, enable partitioning in the panel.

To arm or disarm a partition, press the **Partition 1, 2, or 3** button before arming or disarming the system.

When you press the **Status** button, the arm status of each partition displays with the corresponding partition button.

When using partitions, the authorization of the proximity tags is different to the authorization of the user codes.

Cleaning the keypad

Clean the keypad using a lint-free cloth or soft wipes. Lightly moisten the cloth or wipes with water, household glass-cleaning agent, or low concentration isopropyl alcohol (IPA).

Warning! Do not use cleaning products that contain acids, bleach or corrosive agents.

Specifications

Table 6: Specifications

Feature	Description
Dimensions (h x w x d)	127 x 70 x 24 mm or 5 x 2-3/4 x 31/32 in
Weight	125 g (4.4 oz.), including battery
Battery	1 x 3 V, CR123A type. Note: Use a GP or Panasonic battery only
Battery life	3 years of typical use
Operating temperature	0°C to 49°C or 32°F to 120°F
Relative humidity	93% non-condensing
Frequency bands	433-434 MHz, 868-869 MHz, 912-915 MHz, 119-135 KHZ
Max Tx power	10 dBm @ 433 MHz, 14 dBm @ 868 MHz, 66 dB μ A/M @ 10M @ 119-135 KHZ
Low battery threshold	2.2 V

Compliance with standards



Europe: EN 300220, EN 300 330, EN 301489, EN 50130-4, EN 50130-5, EN 50131-3, EN 50131-1, EN 62368-1 Grade 2 Class II, EN 50131-6, Type C.

Hereby, Visonic Ltd. declares that the radio equipment type KP-241 PG2 is in compliance with Directive 2014/53/EU.

The full text of the EU declaration of conformity is available at the following internet address:

<http://www.visonic.com/download-center>.

Certified by Norwegian accredited certification body **Applica Test & Certification AS** in accordance with EN 50131-3, EN 50131-6, EN 50131-5-3, EN 50130-4, and EN 50130-5.

UK: This product is suitable for use in systems installed to conform to PD6662 at Grade 2 and environmental class 2. BS8243

USA: FCC- CFR 47 part 15.

Canada: IC RSS 247.

This device complies with FCC Rules Part 15 and with Industry Canada license-exempt RSS standard(s). Operation is subject to two conditions: (1) This device may not cause harmful interference, and (2) this device must accept any interference that may be received or that may cause undesired operation.

Le présent appareil est conforme aux CNR d'Industrie Canada applicables aux appareils radio exempts de licence.

L'exploitation est autorisée aux deux conditions suivantes: (1) l'appareil ne doit pas produire de brouillage, et (2) l'utilisateur de l'appareil doit accepter tout brouillage radioélectrique subi, même si le brouillage est susceptible d'en compromettre le fonctionnement.

To comply with FCC Section 1.1310 for human exposure to radio frequency electromagnetic fields and IC requirements, implement the following instruction: A distance of at least 20cm. between the equipment and all persons should be maintained during the operation of the equipment.

Le dispositif doit être placé à une distance d'au moins 20 cm à partir de toutes les personnes au cours de son fonctionnement normal. Les antennes utilisées pour ce produit ne doivent pas être situés ou exploités conjointement avec une autre antenne ou transmetteur.

i Note: This equipment has been tested and found to comply with the limits for a Class B digital device, pursuant to part 15 of the FCC Rules. These limits are designed to provide reasonable protection against harmful interference in a residential installation. This equipment generates, uses and can radiate radio frequency energy, and if not installed and used in accordance with the instructions, may cause harmful interference to radio communications. However, there is no guarantee that interference will not occur in a particular installation. If this equipment does cause harmful interference to radio or television reception, which can be determined by turning the equipment off and on, the user is encouraged to try to correct the interference by one or more of the following measures:

- Reorient or relocate the receiving antenna.
- Increase the separation between the equipment and receiver.
- Connect the equipment into an outlet on a circuit different from that to which the receiver is connected.
- Consult the dealer or an experienced radio/TV technician for help.

This Class B digital apparatus complies with Canadian ICES-003.

Cet appareil numérique de la classe B est conforme à la norme NMB-003 du Canada.

WARNING! Changes or modifications to this unit not expressly approved by the party responsible or compliance could void the user's authority to operate the equipment.



W.E.E.E. Product Recycling Declaration

For information regarding the recycling of this product you must contact the company from which you originally purchased it. If you are discarding this product and not returning it for repair then you must ensure that it is returned as identified by your supplier. This product is not to be thrown away with everyday waste.

Directive 2012/19/EU Waste Electrical and Electronic Equipment.

WARRANTY

Visonic Limited (the "Manufacturer") warrants this product only (the "Product") to the original purchaser only (the "Purchaser") against defective workmanship and materials under normal use of the Product for a period of twelve (12) months from the date of shipment by the Manufacturer.

This Warranty is absolutely conditional upon the Product having been properly installed, maintained and operated under conditions of normal use in accordance with the Manufacturer's recommended installation and operation instructions. Products which have become defective for any other reason, according to the Manufacturer's discretion, such as improper installation, failure to follow recommended installation and operational instructions, neglect, willful damage, misuse or vandalism, accidental damage, alteration or tampering, or repair by anyone other than the manufacturer, are not covered by this Warranty.

There is absolutely no warranty on software, and all software products are sold as a user license under the terms of the software license agreement included with such Product.

The Manufacturer does not represent that this Product may not be compromised and/or circumvented or that the Product will prevent any death and/or personal injury and/or damage to property resulting from burglary, robbery, fire or otherwise, or that the Product will in all cases provide adequate warning or protection. The Product, properly installed and maintained, only reduces the risk of such events without warning and it is not a guarantee or insurance that such events will not occur.

Conditions to Void Warranty

This warranty applies only to defects in parts and workmanship relating to normal use of the Products. It does not cover:

- damage incurred in shipping or handling;
- damage caused by disaster such as fire, flood, wind, earthquake or lightning;
- damage due to causes beyond the control of the Seller such as excessive voltage, mechanical shock or water damage;
- damage caused by unauthorized attachment, alterations, modifications or foreign objects being used with or in conjunction with the Products;
- damage caused by peripherals (unless such peripherals were supplied by the Seller);
- defects caused by failure to provide a suitable installation environment for the products;
- damage caused by use of the Products for purposes other than those for which they were designed;
- damage from improper maintenance;
- damage arising out of any other abuse, mishandling or improper application of the Products.

Items Not Covered by Warranty:

In addition to the items which void the Warranty, the following items shall not be covered by Warranty: (i) freight cost to the repair centre; (ii) customs fees, taxes, or VAT that may be due; (iii) Products which are not identified with the Seller's product label and lot number or serial number; (iv) Products disassembled or repaired in such a manner as to adversely affect performance or prevent adequate inspection or testing to verify any warranty claim. Access cards or tags returned for replacement under warranty will be credited or replaced at the Seller's option.

THIS WARRANTY IS EXCLUSIVE AND EXPRESSLY IN LIEU OF ALL OTHER WARRANTIES, OBLIGATIONS OR LIABILITIES, WHETHER WRITTEN, ORAL, EXPRESS OR IMPLIED, INCLUDING ANY WARRANTY OF MERCHANTABILITY OR FITNESS FOR A PARTICULAR PURPOSE, OR OTHERWISE. IN NO CASE SHALL THE MANUFACTURER BE LIABLE TO ANYONE FOR ANY CONSEQUENTIAL OR INCIDENTAL DAMAGES FOR BREACH OF THIS WARRANTY OR ANY OTHER WARRANTIES WHATSOEVER, AS AFORESAID.

THE MANUFACTURER SHALL IN NO EVENT BE LIABLE FOR ANY SPECIAL, INDIRECT, INCIDENTAL, CONSEQUENTIAL OR PUNITIVE DAMAGES OR FOR LOSS, DAMAGE, OR EXPENSE, INCLUDING LOSS OF USE, PROFITS, REVENUE, OR GOODWILL, DIRECTLY OR INDIRECTLY ARISING FROM PURCHASER'S USE OR INABILITY TO USE THE PRODUCT, OR FOR LOSS OR DESTRUCTION OF OTHER PROPERTY OR FROM ANY OTHER CAUSE, EVEN IF MANUFACTURER HAS BEEN ADVISED OF THE POSSIBILITY OF SUCH DAMAGE.

THE MANUFACTURER SHALL HAVE NO LIABILITY FOR ANY DEATH, PERSONAL AND/OR BODILY INJURY AND/OR DAMAGE TO PROPERTY OR OTHER LOSS WHETHER DIRECT, INDIRECT, INCIDENTAL, CONSEQUENTIAL OR OTHERWISE, BASED ON A CLAIM THAT THE PRODUCT FAILED TO FUNCTION, HOWEVER, IF THE MANUFACTURER IS HELD LIABLE WHETHER DIRECTLY OR INDIRECTLY, FOR ANY LOSS OR DAMAGE ARISING UNDER THIS LIMITED WARRANTY, THE MANUFACTURER'S MAXIMUM LIABILITY (IF ANY) SHALL NOT IN ANY CASE EXCEED THE PURCHASE PRICE OF THE PRODUCT INVOLVED, WHICH SHALL BE FIXED AS LIQUIDATED DAMAGES AND NOT AS A PENALTY, AND SHALL BE THE COMPLETE AND EXCLUSIVE REMEDY AGAINST THE MANUFACTURER.

When accepting the delivery of the Product, the Purchaser agrees to the said conditions of sale and warranty and he recognizes having been informed of.

Some jurisdictions do not allow the exclusion or limitation of incidental or consequential damages, so these limitations may not apply under certain circumstances.

The Manufacturer shall be under no liability whatsoever arising out of the corruption and/or malfunctioning of any telecommunication or electronic equipment or any programs.

The Manufacturer's obligations under this Warranty are limited solely to repair and/or replace at the Manufacturer's discretion any Product or part thereof that may prove defective. Any repair and/or replacement shall not extend the original Warranty period. The Manufacturer shall not be responsible for dismantling and/or reinstallation costs. To exercise this Warranty the Product must be returned to the Manufacturer freight pre-paid and insured. All freight and insurance costs are the responsibility of the Purchaser and are not included in this Warranty.

For sales in Israel only:

The Purchaser shall comply with the provisions of the Israeli Consumer Protection Law – 1981 ("Consumer Protection Law") related regulations, including the Israeli Consumer Protection Regulations (Warranty Sticker), 5772-2012 ("Regulations"), including, without limitation (i) providing its customers with at least the minimum warranty required by the Consumer Protection Law, and (ii) ensuring that a warranty certificate and a warranty sticker (as defined in the Regulations) ("Warranty Sticker") shall be attached to any sold Products and the date of the sale of the Product to the consumer or the end-user shall be added in a readable manner on the Warranty Sticker.

In no event shall the Purchaser's compliance with the Consumer Protection Law and Regulations expand any of the Manufacturer's warranty obligations under this warranty, and the Purchaser shall be responsible for any warranty that it provides with respect to the Products which exceeds or is different from this warranty.

This warranty shall not be modified, varied or extended, and the Manufacturer does not authorize any person to act on its behalf in the modification, variation or extension of this warranty. This warranty shall apply to the Product only. All products, accessories or attachments of others used in conjunction with the Product, including batteries, shall be covered solely by their own warranty, if any. The Manufacturer shall not be liable for any damage or loss whatsoever, whether directly, indirectly, incidentally, consequentially or otherwise, caused by the malfunction of the Product due to products, accessories, or attachments of others, including batteries, used in conjunction with the Products. This Warranty is exclusive to the original Purchaser and is not assignable.

This Warranty is in addition to and does not affect your legal rights. Any provision in this warranty which is contrary to the Law in the state or country where the Product is supplied shall not apply.

Governing Law:

This disclaimer of warranties and limited warranty are governed by the domestic laws of Israel.

Warning

The user must follow the Manufacturer's installation and operational instructions including testing the Product and its whole system at least once a week and to take all necessary precautions for his/her safety and the protection of his/her property.

* In case of a conflict, contradiction or interpretation between the English version of the warranty and other versions, the English version shall prevail.

© 2020 Johnson Controls. All rights reserved. JOHNSON CONTROLS, TYCO and VISONIC are trademarks and/or registered trademarks. Unauthorized use is strictly prohibited.

D-307872 KP-241 PG2 (Rev 1, 02/20)

Email: info@visonic.com

Website: www.visonic.com



D-307872

